

PARTS CATALOG

Paper Deck-U1

Canon

Mar 25 2004

PREFACE

This Parts Catalog contains listings of parts used

Diagrams are provided with the listings to aid the service technician in identifying clearly, the item to be ordered.

Whenever ordering parts, consult this Parts Catalog for all of the information pertaining to each item. Be sure to include, in the Parts Request, the full item description, the item part number, and the quantity.

COPYRIGHT (C) 2004 CANON INC.

Use of this manual should be strictly supervised to avoid disclosure of confidential information.

Contents

Parts List Index

Paper Deck-U1	1-1
---------------------	-----

Paper Deck-U1

RA	ASSEMBLY LOCATION DIAGRAM	2-1
R01	MOUNTING HARDWARE	2-2
R10	EXTERNAL COVERS, PANELS, ETC.	2-4
R11	INTERNAL COMPONENTS	2-6
R30	PAPER STOCK ASSEMBLY	2-9
R40	PAPER PICK-UP ASSEMBLY	2-12
RB	LIST OF CONNECTORS	2-16

NUMERICAL INDEX

Paper Deck-U1

PARTS NUMBER	FIGURE & KEY NO.	PARTS NUMBER	FIGURE & KEY NO.	PARTS NUMBER	FIGURE & KEY NO.
FA6-7751-000	R11 - 1	FB4-2013-000	R40 - 22	FF5-6338-000	R40 - 27
FA6-8257-000	R30 - 2	FB4-4867-020	R01 - 1	FF5-7529-000	R40 - 29
FA9-2112-000	R40 - 1	FB4-4871-000	R11 - 6	FF5-7530-000	R40 - 30
FB2-7702-000	R40 - 62	FB4-4873-000	R30 - 20	FF5-7532-000	R40 - 31
FB2-7720-000	R40 - 3	FB4-4874-000	R30 - 21	FF5-7535-000	R11 - 11
FB2-7721-000	R40 - 4	FB4-4877-000	R11 - 7	FF5-7536-000	R11 - 12
FB2-7755-000	R40 - 6	FB4-4878-000	R11 - 8	FF5-7540-000	R40 - 63
FB2-7777-020	R40 - 7	FB4-4882-000	R30 - 22	FF5-7829-000	R40 - 34
FB2-9248-000	R30 - 4	FB4-4887-000	R40 - 59	FF5-7830-000	R40 - 35
FB3-9188-020	R40 - 8	FB4-4894-020	R40 - 60	FF6-1975-000	R40 - 33
FB3-9192-020	R40 - 9	FB4-4898-000	R40 - 24	FF6-1976-000	R40 - 32
FB3-9193-020	R40 - 10	FB4-4899-000	R40 - 25	FF6-2621-000	R01 - 8
FB3-9195-020	R40 - 11	FB4-4919-000	R01 - 3	FF6-2622-000	R01 - 9
FB3-9196-020	R40 - 12	FB4-4928-000	R30 - 23	FF6-2738-000	R40 - 28
FB3-9206-000	R40 - 13	FB4-4929-000	R11 - 10	FG6-9259-000	R40 - 5
FB3-9207-030	R40 - 14	FB4-4932-000	R01 - 5	FH7-1791-020	R30 - 32
FB3-9214-000	R40 - 15	FB4-4933-000	R01 - 6	FH7-7312-000	R11 - 21
FB3-9216-000	R40 - 16	FB4-4937-000	R01 - 2	FH7-7312-000	R30 - 33
FB3-9217-000	R40 - 17	FB4-4938-000	R01 - 7	FH7-7312-000	R40 - 39
FB3-9230-000	R30 - 45	FB4-4939-000	R01 - 14	FK2-0118-000	R11 - 27
FB3-9235-000	R30 - 5	FB4-6227-000	R40 - 2	FK2-0126-000	R40 - 38
FB3-9237-000	R30 - 6	FB5-0553-000	R30 - 1	FK2-0127-000	R11 - 20
FB3-9238-000	R30 - 7	FB5-4672-000	R01 - 4	FK2-0261-000	R40 - 37
FB3-9240-000	R30 - 8	FB5-7009-000	R30 - 46	FL2-0584-000	R10 - 9
FB3-9241-000	R30 - 9	FB6-3904-000	R10 - 7	FM2-0838-000	R11 - 39
FB3-9242-000	R30 - 10	FB6-3905-000	R10 - 1	FM2-0856-000	R10 - 12
FB3-9243-000	R30 - 11	FB6-3907-000	R11 - 2	FM2-0875-000	R30 - 30
FB3-9244-000	R30 - 12	FB6-3910-000	R11 - 9	FM2-0876-000	R11 - 35
FB3-9246-020	R30 - 13	FB6-3915-000	R10 - 4	FM2-0877-000	R30 - 29
FB3-9247-020	R30 - 14	FB6-4854-000	R30 - 3	FM2-0878-000	R30 - 31
FB3-9260-000	R11 - 3	FC5-2751-000	R40 - 23	FM2-0879-000	R40 - 36
FB3-9261-020	R11 - 4	FC5-6146-000	R10 - 11	FM2-0880-000	R11 - 34
FB3-9289-000	R40 - 18	FC5-6245-000	R40 - 26	FM2-0881-000	R11 - 29
FB3-9290-000	R11 - 5	FC5-6846-000	R10 - 10	FM2-0882-000	R11 - 33
FB3-9711-000	R10 - 5	FC5-6847-000	R10 - 2	FM2-0883-000	R11 - 13
FB3-9713-000	R40 - 19	FC5-6848-000	R10 - 3	FM2-1224-000	R40 -
FB3-9714-000	R30 - 15	FF3-4190-000	R40 - 65	FM2-1227-000	R30 -
FB3-9720-000	R30 - 16	FF5-5282-030	R30 - 24	FS1-1189-000	R11 - 23
FB3-9723-000	R30 - 17	FF5-6137-000	R40 - 61	FS1-1189-000	R40 - 58
FB3-9735-000	R30 - 18	FF5-6148-000	R30 - 25	FS1-1512-000	R40 - 40
FB3-9742-000	R30 - 19	FF5-6156-000	R01 - 10	FS1-1569-000	R40 - 41
FB3-9749-000	R10 - 6	FF5-6160-000	R30 - 26	FS1-9002-000	R01 - 12
FB3-9752-000	R40 - 20	FF5-6161-000	R30 - 27	FS1-9009-000	R11 - 24
FB4-2007-000	R40 - 21	FF5-6171-000	R30 - 28	FS2-0450-000	R30 - 34

NUMERICAL INDEX

Paper Deck-U1

PARTS NUMBER	FIGURE & KEY NO.	PARTS NUMBER	FIGURE & KEY NO.	PARTS NUMBER	FIGURE & KEY NO
FS2-0484-000	R40 - 42	NPN	RB - J23	VS1-6373-010	RB - J17
FS2-0544-000	R11 - 38	NPN	RB - J24	VS1-6741-006	RB - J110
FS2-9343-000	R11 - 19	NPN	RB - J25	VS1-6741-006	RB - J3010
FS5-0338-000	R40 - 43	NPN	RB - J26	VS1-6741-008	RB - J102
FS5-2291-000	R40 - 44	PCB	RB - J3	VS1-6741-008	RB - J3010
FS5-2885-000	R40 - 45	PCB	RB - J101	VS1-7101-002	RB - J9
FS5-3333-000	R40 - 46	PCB	RB - J102	VS1-7101-002	RB - J11
FS5-7441-000	R40 - 50	PCB	RB - J103	VS1-7101-002	RB - J13
FS5-7442-000	R40 - 57	PCB	RB - J104	VS1-7101-002	RB - J23
FS5-8618-000	R30 - 35	PCB	RB - J105	VS1-7101-003	RB - J20
FS6-0053-020	R40 - 47	PCB	RB - J106	VS1-7101-004	RB - J2
FS6-0722-000	R30 - 36	PCB	RB - J107	VS1-7101-010	RB - J4
FS6-0907-000	R40 - 49	PCB	RB - J108	VS1-7101-014	RB - J8
FS6-0909-000	R30 - 37	PCB	RB - J109	VS1-7110-002	RB - J15
FS6-2593-000	R11 - 17	PCB	RB - J110	VS1-7110-002	RB - J106
FS6-2673-000	R30 - 38	RH2-5283-000	RB - J21	VS1-7110-003	RB - J101
FS6-2674-000	R11 - 16	RH2-5283-000	RB - J26	VS1-7177-002	R11 - 28
FS6-2675-020	R40 - 51	SYS	RB - J3010	VS1-7177-002	R40 - 54
FS6-2676-000	R11 - 15	VS1-5824-003	RB - J18	VS1-7177-003	R30 - 42
FS6-2678-030	R40 - 52	VS1-5824-003	RB - J19	VS1-7177-004	R11 - 30
FS6-2895-000	R40 - 53	VS1-6302-003	RB - J109	VS1-7177-010	R11 - 31
FS6-2897-000	R01 - 11	VS1-6302-010	RB - J107	VS1-7177-014	R11 - 32
FS7-8327-000	R10 - 8	VS1-6321-002	RB - J9	VT2-0002-003	R11 - 22
FU3-0256-000	R11 - 18	VS1-6321-002	RB - J11	WC4-0153-000	R30 - 39
FU3-0257-000	R11 - 14	VS1-6321-002	RB - J13	WC4-5153-000	R11 - 25
FU5-0258-000	R40 - 48	VS1-6321-002	RB - J23	WS3-0437-000	RB - J22
NPN	R01 -	VS1-6321-003	RB - J5	WS3-0589-000	RB - J22
NPN	R10 -	VS1-6321-003	RB - J6	WS3-5358-000	RB - J18
NPN	R11 -	VS1-6321-003	RB - J7	WS3-5358-000	RB - J19
NPN	RB -	VS1-6321-003	RB - J10	WS3-5358-000	RB - J20
NPN	RB - J5	VS1-6321-003	RB - J12	WS3-5419-000	RB - J21
NPN	RB - J6	VS1-6321-003	RB - J20	WS3-5419-000	RB - J26
NPN	RB - J7	VS1-6321-003	RB - J24	WS3-5569-000	RB - J17
NPN	RB - J9	VS1-6321-003	RB - J25	WS3-5569-000	RB - J107
NPN	RB - J10	VS1-6321-004	RB - J2	WS3-5569-000	RB - J109
NPN	RB - J11	VS1-6321-004	RB - J3	WS3-5598-000	RB - J17
NPN	RB - J12	VS1-6321-006	RB - J14	WS3-5729-000	RB - J102
NPN	RB - J13	VS1-6321-006	RB - J105	WS3-5729-000	RB - J110
NPN	RB - J14	VS1-6321-008	RB - J108	WS3-5729-000	RB - J3010
NPN	RB - J15	VS1-6321-010	RB - J4	WS3-5816-000	RB - J3010
NPN	RB - J18	VS1-6321-012	RB - J104	WS3-5847-000	RB - J3010
NPN	RB - J19	VS1-6321-013	RB - J103	WS3-5858-000	RB - J15
NPN	RB - J21	VS1-6321-014	RB - J8	WS3-5858-000	RB - J101
NPN	RB - J22	VS1-6372-010	RB - J17	WS3-5858-000	RB - J106

NUMERICAL INDEX

Paper Deck-U1

PARTS NUMBER	FIGURE & KEY NO.	PARTS NUMBER	FIGURE & KEY NO.	PARTS NUMBER	FIGURE & KEY NO.
WT2-5410-000	R11 - 26	XG9-0250-000	R30 - 44		
XA9-0721-000	R30 - 40				
XA9-0732-000	R01 - 13				
XA9-0732-000	R10 - 13				
XA9-0732-000	R11 - 36				
XA9-0732-000	R30 - 41				
XA9-0732-000	R40 - 64				
XA9-0949-000	R11 - 37				
XB1-2231-009	R11 - 501				
XB1-2231-009	R30 - 503				
XB1-2300-409	R40 - 502				
XB1-2300-806	R10 - 503				
XB1-2400-609	R01 - 501				
XB1-2400-609	R11 - 504				
XB1-2400-609	R30 - 504				
XB1-2400-609	R30 - 511				
XB1-2400-609	R40 - 503				
XB1-2400-809	R11 - 505				
XB4-7400-807	R10 - 502				
XB6-2400-808	R30 - 505				
XB6-7300-409	R11 - 507				
XB6-7400-609	R30 - 506				
XB6-7400-809	R30 - 501				
XD1-4200-402	R11 - 503				
XD2-1100-242	R30 - 508				
XD2-1100-242	R40 - 504				
XD2-1100-372	R40 - 506				
XD2-1100-402	R40 - 505				
XD2-1100-502	R11 - 508				
XD2-1100-502	R30 - 507				
XD2-1100-502	R40 - 510				
XD2-1100-642	R11 - 506				
XD2-1100-642	R30 - 509				
XD2-1100-642	R40 - 507				
XD2-2300-402	R10 - 501				
XD3-1300-082	R40 - 501				
XD3-1300-102	R11 - 502				
XD3-2200-102	R40 - 508				
XD3-2200-122	R30 - 502				
XD3-2200-142	R40 - 509				
XD3-2200-182	R30 - 510				
XF9-0525-000	R40 - 55				
XG3-6012-405	R30 - 43				
XG9-0242-000	R40 - 56				

Paper Deck-U1

F26-4501-000 JJD00001-
F26-4511-000 JJE00001-

Contents

RA	ASSEMBLY LOCATION DIAGRAM	2-1
R01	MOUNTING HARDWARE	2-2
R10	EXTERNAL COVERS, PANELS, ETC.	2-4
R11	INTERNAL COMPONENTS	2-6
R30	PAPER STOCK ASSEMBLY	2-9
R40	PAPER PICK-UP ASSEMBLY	2-12
RB	LIST OF CONNECTORS	2-16

FIGURE RA ASSEMBLY LOCATION DIAGRAM

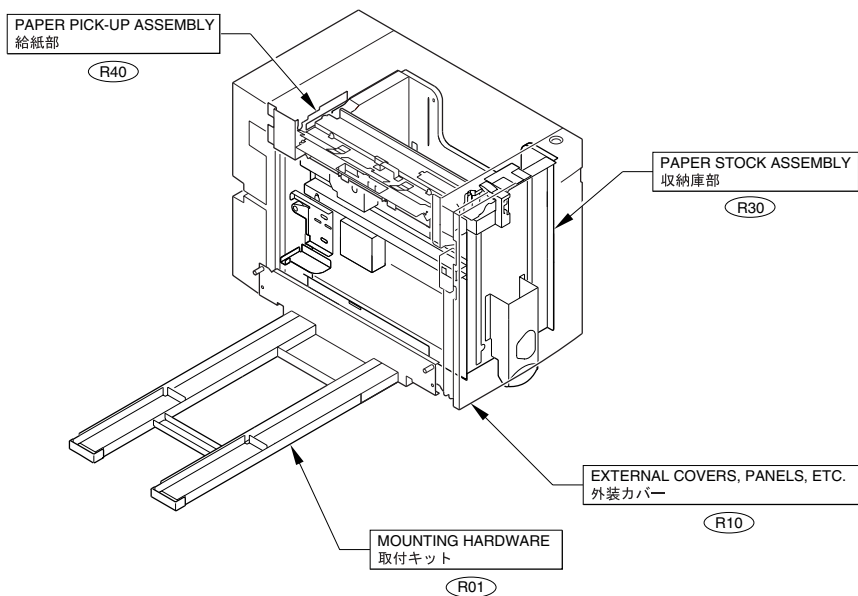


FIGURE R01
MOUNTING HARDWARE

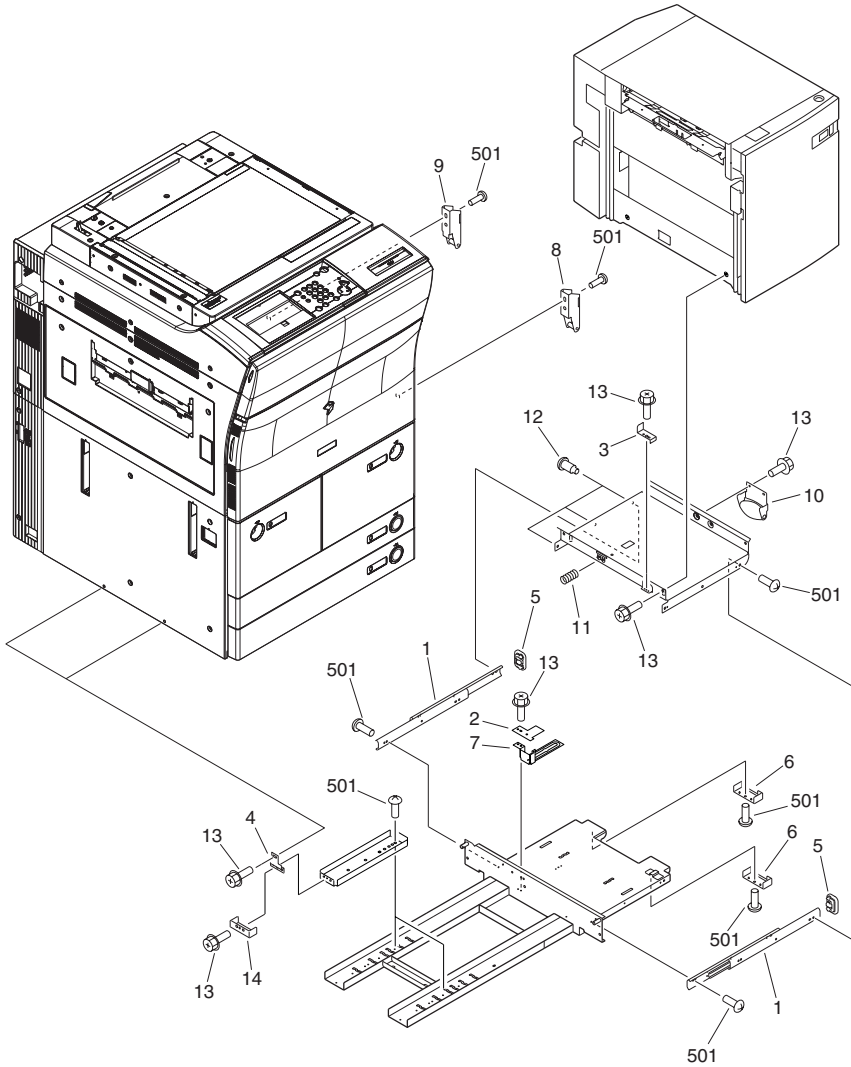


FIGURE & KEY NO.	PARTS NUMBER	R A N K	Q'TY	DESCRIPTION	SERIAL NUMBER/ REMARKS	S V C
Fig.R01	NPN		RF	MOUNTING HARDWARE		
1	FB4-4867-020		2	RAIL, FRAME SLIDE		
2	FB4-4937-000		1	FLAG, SLIDE, UPPER		
3	FB4-4919-000		1	PLATE, DECK STOPPER		
4	FB5-4672-000		2	PLATE, CROSSMEMBER SUPPORT		
5	FB4-4932-000		2	CAP, RAIL		
6	FB4-4933-000		2	COVER, BOTTOM CROSSMEMBER		
7	FB4-4938-000		1	FLAG, SLIDE, LOWER		
8	FF6-2621-000		1	PLATE, LATCH, FRONT		
9	FF6-2622-000		1	PLATE, LATCH, REAR		
10	FF5-6156-000		1	SUPPORT, ROLLER		
11	FS6-2897-000		1	SPRING, COMPRESSION		
12	FS1-9002-000		3	SCREW, STEPPED, M4		
13	XA9-0732-000		25	SCREW, RS, M4X8		
14	FB4-4939-000		2	COVER, BOTTOM CROSSMEMBER, 2		
501	XB1-2400-609		AR	SCREW, MACH., TRUSS HEAD, M4X6		

FIGURE R10
EXTERNAL COVERS, PANELS, ETC.

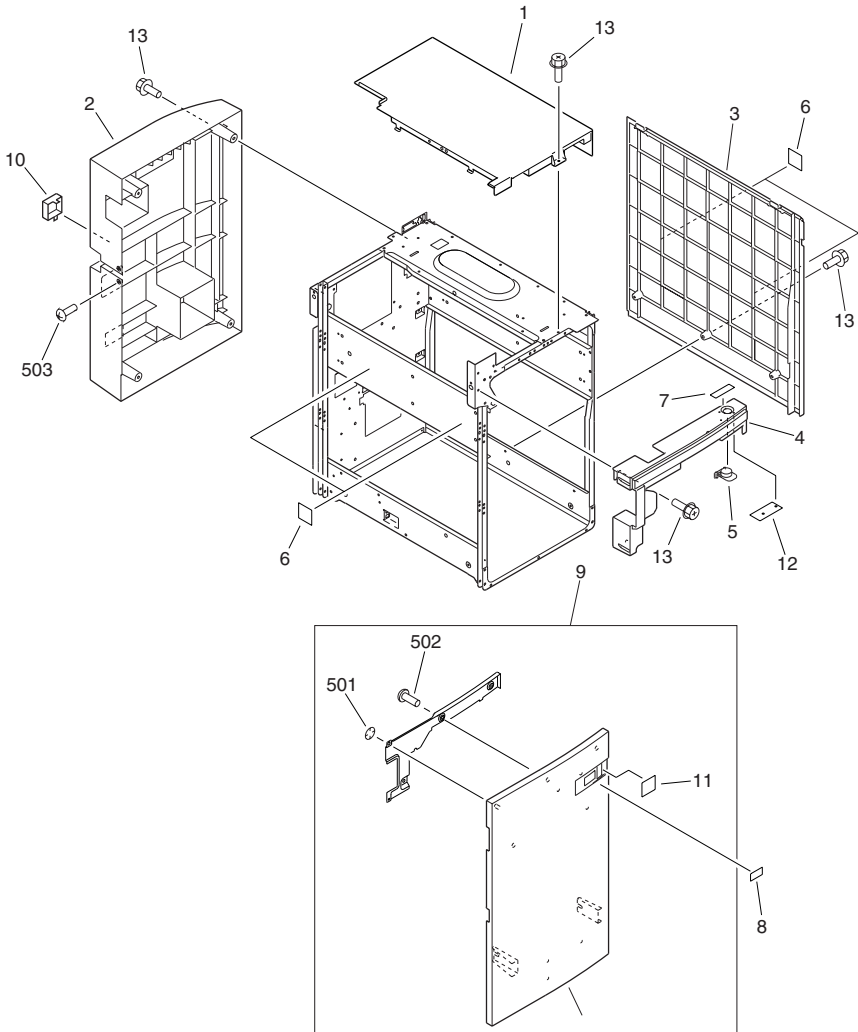


FIGURE & KEY NO.	PARTS NUMBER	R A N K	Q'TY	DESCRIPTION	SERIAL NUMBER/ REMARKS	S V C
Fig.R10	NPN		RF	EXTERNAL COVERS, PANELS, ETC.		
1	FB6-3905-000		1	PANEL, UPPER		
2	FC5-6847-000		1	PANEL, REAR		
3	FC5-6848-000		1	PANEL, RIGHT		
4	FB6-3915-000		1	COVER, SWITCH		
5	FB3-9711-000		1	BUTTON, RELEASE		
6	FB3-9749-000		4	LABEL, 'HANDLE'		
7	FB6-3904-000		1	LABEL, 'DECK OPEN'		
8	FS7-8327-000		1	LABEL, PAPER SIZE		
9	FL2-0584-000		1	PANEL, FRONT		
10	FC5-6846-000		1	CAP, COVER, LEFT		
11	FC5-6146-000		1	COVER, SHIELD, FRONT		
12	FM2-0856-000		1	SWITCH PCB ASSEMBLY		
13	XA9-0732-000		10	SCREW,RS,M4X8		
501	XD2-2300-402		AR	RING,TOOTHED LOCK		
502	XB4-7400-807		AR	SCREW,TAPPING,TRUSS HEAD,M4X8		
503	XB1-2300-806		AR	SCREW,MACH.,TRUSS HEAD,M3X8		

FIGURE R11 INTERNAL COMPONENTS

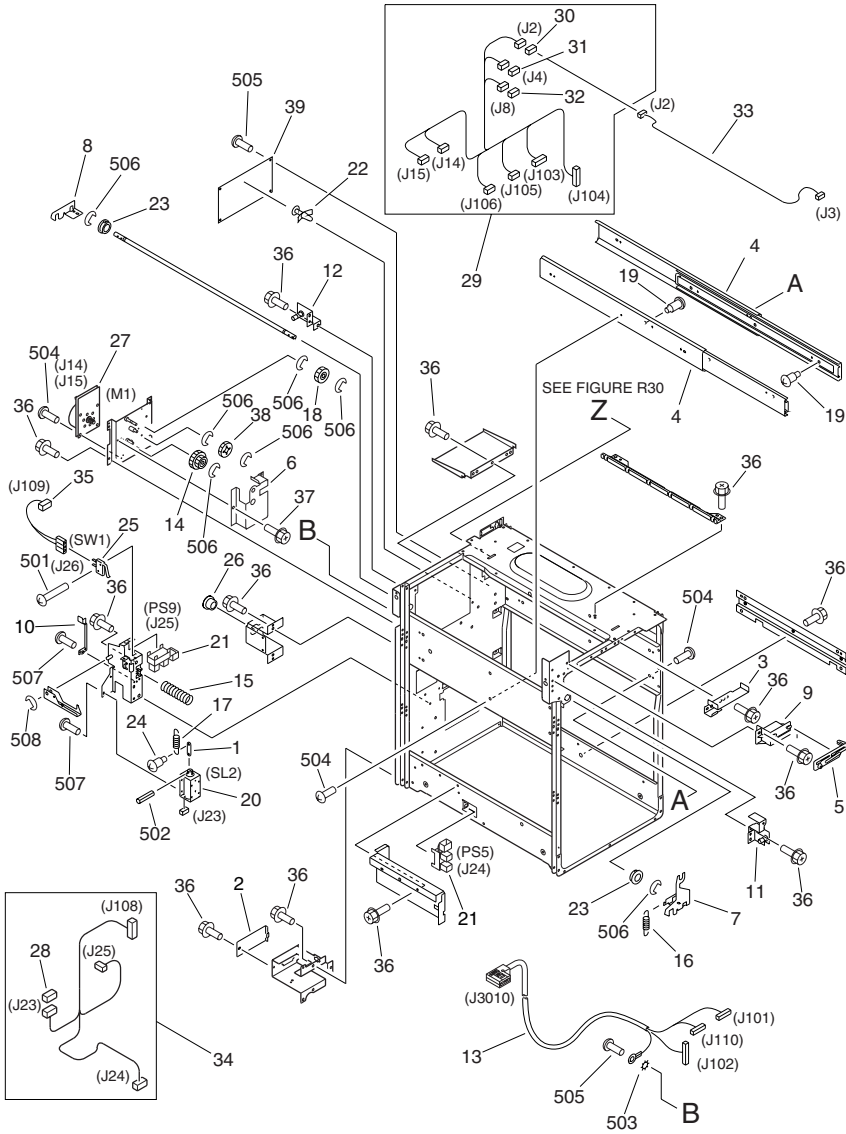
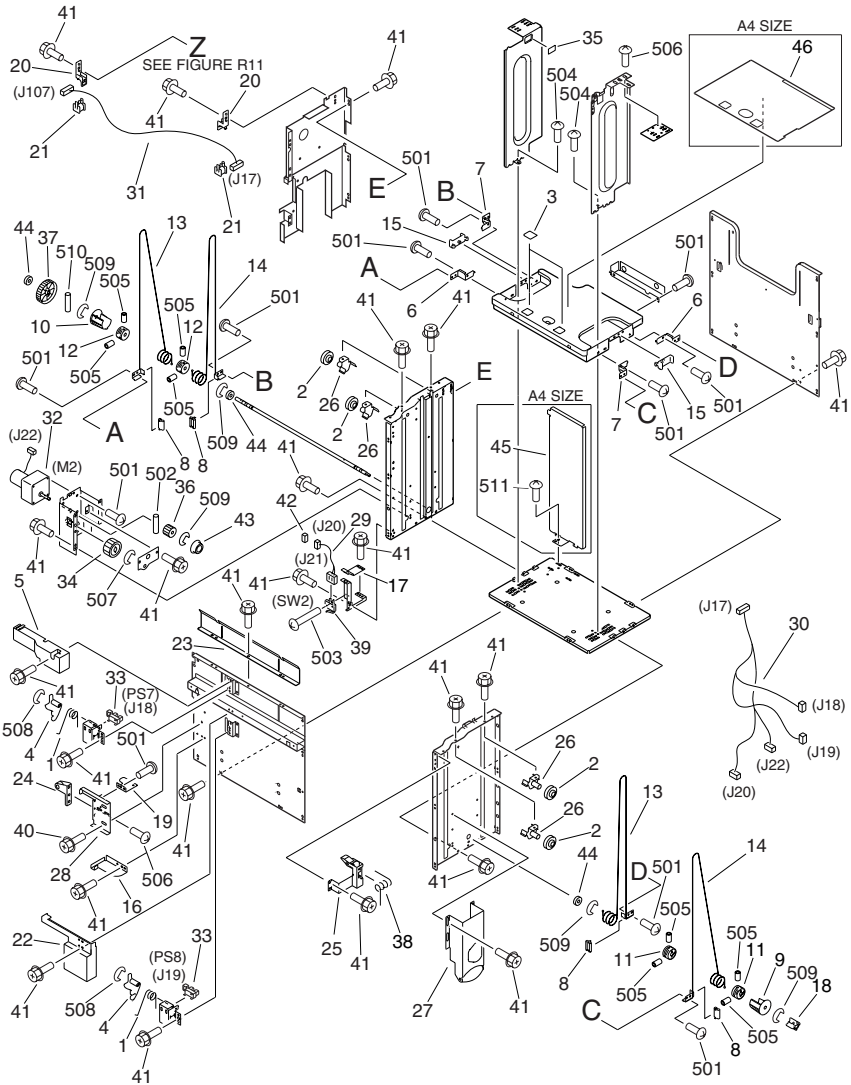


FIGURE & KEY NO.	PARTS NUMBER	R A N K	Q'TY	DESCRIPTION	SERIAL NUMBER/ REMARKS	S V C
Fig.R11	NPN		RF	INTERNAL COMPONENTS		
1	FA6-7751-000		1	ARM, LOCK		
2	FB6-3907-000		1	COVER, CONNECTOR		
3	FB3-9260-000		1	PLATE, CAM RELEASE		
4	FB3-9261-020		2	RAIL, SLIDE		
5	FB3-9290-000		1	LINK, RELEASE LEVER		
6	FB4-4871-000		1	COVER, GEAR		
7	FB4-4877-000		1	HOOK, FRONT		
8	FB4-4878-000		1	HOOK, REAR		
9	FB6-3910-000		1	COVER, RELEASE LEVER		
10	FB4-4929-000		1	SPRING, LEAF		
11	FF5-7535-000		1	PIN, DECK, FRONT		
12	FF5-7536-000		1	PIN, DECK, REAR		
13	FM2-0883-000		1	CABLE, INTERFACE	J101,102,110,3010	
14	FU3-0257-000		1	GEAR, 27T/68T		
15	FS6-2676-000		1	SPRING, COMPRESSION		
16	FS6-2674-000		1	SPRING, TENSION		
17	FS6-2593-000		1	SPRING, TENSION		
18	FU3-0256-000		1	GEAR, 48T/64T		
19	FS2-9343-000		4	SCREW, STEPPED, M4		
20	FK2-0127-000		1	SOLENOID	SL2 J23	
21	FH7-7312-000		2	PHOTO-INTERRUPTER	PS5,9 J24,25	
22	VT2-0002-003		1	SPACER, SUPPORT		
23	FS1-1189-000		2	BUSHING		
24	FS1-9009-000		1	SCREW, STEPPED, M3		
25	WC4-5153-000		1	MICRO SWITCH	SW1 J26	
26	WT2-5410-000		1	BUSHING, STRAIN RELIEF		
27	FK2-0118-000		1	MOTOR, DC	M1 J14,15	
28	VS1-7177-002		4	CONNECTOR, SNAP TIGHT, BK	J23	
29	FM2-0881-000		1	CABLE, FRAME, 1	J2,4,8,14 J15,103-106	
30	VS1-7177-004		1	CONNECTOR, SNAP TIGHT, BK	J2	
31	VS1-7177-010		1	CONNECTOR, SNAP TIGHT, BK	J4	

FIGURE & KEY NO.	PARTS NUMBER	R A N K	Q'TY	DESCRIPTION	SERIAL NUMBER/ REMARKS	S V C
32	VS1-7177-014		1	CONNECTOR, SNAP TIGHT, BK	J8	
33	FM2-0882-000		1	CABLE, LED	J2,3	
34	FM2-0880-000		1	CABLE, FRAME, 2	J23-25,108	
35	FM2-0876-000		1	CABLE, PAPER STOCK SWITCH	J26,109	
36	XA9-0732-000		22	SCREW,RS,M4X8		
37	XA9-0949-000		2	SCREW,RS,M4X10		
38	FS2-0544-000		1	GEAR, 24T		
39	FM2-0838-000		1	DECK DRIVER PCB ASSEMBLY		
501	XB1-2231-009		AR	SCREW,MACH.,TRUSS HEAD,M2.3X10		
502	XD3-1300-102		AR	PIN,SPRING		
503	XD1-4200-402		AR	WASHER,TOOTHED LOCK		
504	XB1-2400-609		AR	SCREW,MACH.,TRUSS HEAD,M4X6		
505	XB1-2400-809		AR	SCREW,MACH.,TRUSS HEAD,M4X8		
506	XD2-1100-642		AR	RING,E		
507	XB6-7300-409		AR	SCREW,TP,M3X4		
508	XD2-1100-502		AR	RING,E		

FIGURE R30 PAPER STOCK ASSEMBLY

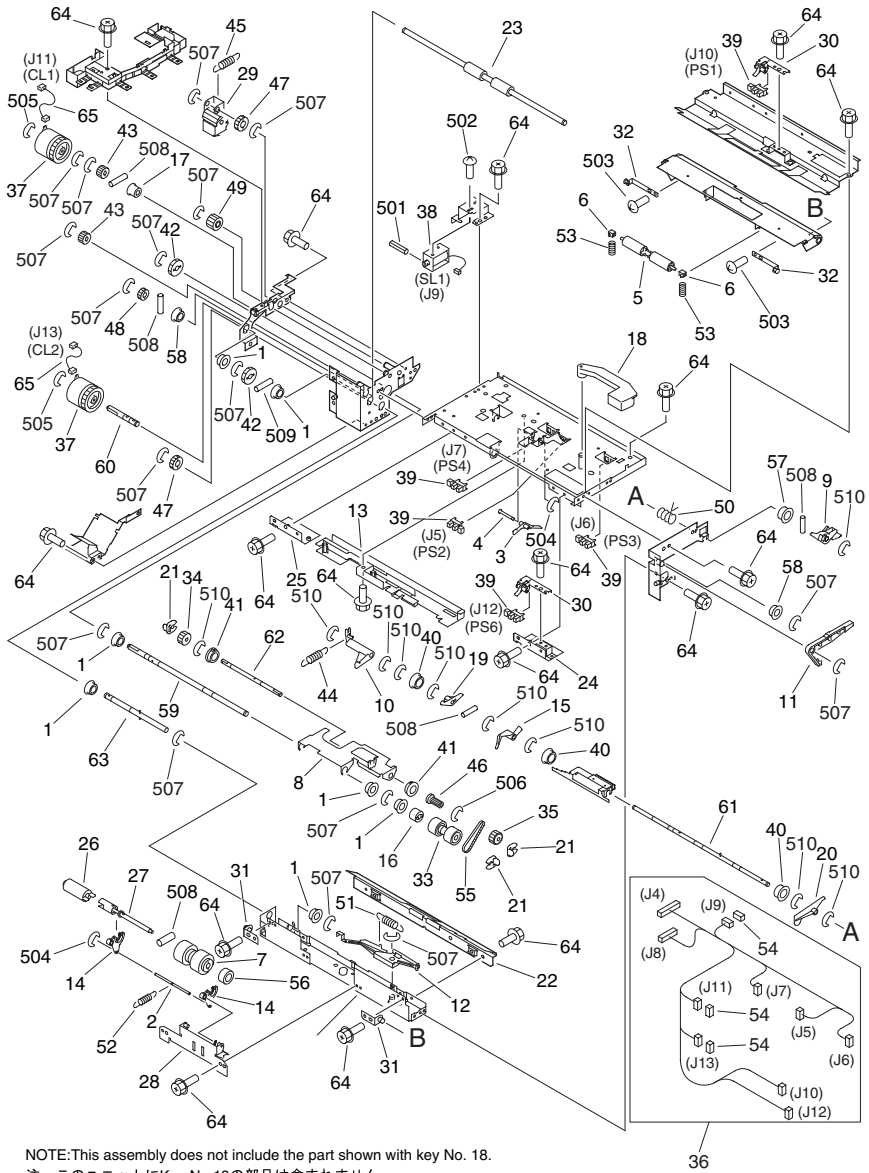


NOTE: This assembly does not include the parts shown with key No. 16, 18, 27, 45, 46 and 511.
 注：このユニットにKey No.16, 18, 27, 45, 46, 511の部品は含まれません。

FIGURE & KEY NO.	PARTS NUMBER	R A N K	Q'TY	DESCRIPTION	SERIAL NUMBER/ REMARKS	S V C
Fig.R30	FM2-1227-000		1	PAPER STOCK ASSEMBLY		
1	FB5-0553-000		2	SPRING, TORSION		
2	FA6-8257-000		4	PULLEY		
3	FB6-4854-000		2	SHEET, SEPARATION		
4	FB2-9248-000		2	ARM, PAPER SENSOR		
5	FB3-9235-000		1	COVER, SENSOR		
6	FB3-9237-000		2	PLATE, WIRE STOP, RIGHT		
7	FB3-9238-000		2	PLATE, WIRE STOP, LEFT		
8	FB3-9240-000		4	BLOCK, WIRE GUIDE		
9	FB3-9241-000		1	GUIDE, PULLEY, FRONT		
10	FB3-9242-000		1	GUIDE, PULLEY, REAR		
11	FB3-9243-000		2	PULLEY, DRIVE, FRONT		
12	FB3-9244-000		2	PULLEY, DRIVE, REAR		
13	FB3-9246-020		2	WIRE, DRIVE, RIGHT		
14	FB3-9247-020		2	WIRE, DRIVE, LEFT		
15	FB3-9714-000		2	BLOCK, LIFTER PLATE SLIDE		
16	FB3-9720-000		1	PLATE, PAPER STOCK STOP	SEE NOTE	
17	FB3-9723-000		1	SPRING, LEAF		
18	FB3-9735-000		1	COUPLING	SEE NOTE	
19	FB3-9742-000		1	FLAG, PAPER STOCK SENSOR		
20	FB4-4873-000		2	CLAMP, CORD, UPPER		
21	FB4-4874-000		2	CLAMP, CORD, LOWER		
22	FB4-4882-000		1	COVER, SENSOR, LOWER		
23	FB4-4928-000		1	PLATE, SEPARATION		
24	FF5-5282-030		1	HOLDER, LATCH		
25	FF5-6148-000		1	LEVER, RELEASE		
26	FF5-6160-000		4	MOUNT, PULLEY		
27	FF5-6161-000		1	MOUNT, ROLLER	SEE NOTE	
28	FF5-6171-000		1	PLATE, LOCK		
29	FM2-0877-000		1	CABLE, SWITCH	J20,21	
30	FM2-0875-000		1	CABLE, PAPER STOCK	J17-20,22	
31	FM2-0878-000		1	CABLE, PAPER STOCK CONNECTING	J17,107	

FIGURE & KEY NO.	PARTS NUMBER	R A N K	Q'TY	DESCRIPTION	SERIAL NUMBER/ REMARKS	S V C
32	FH7-1791-020		1	MOTOR, DC24V	M2 J22	
33	FH7-7312-000		2	PHOTO-INTERRUPTER	PS7,8 J18,19	
34	FS2-0450-000		1	GEAR, 32T		
35	FS5-8618-000		1	LABEL, 'MAXIMUM LOAD'		
36	FS6-0722-000		1	GEAR, 19T		
37	FS6-0909-000		1	GEAR, 58T		
38	FS6-2673-000		1	SPRING, TORSION		
39	WC4-0153-000		1	MICROSWITCH	SW2 J21	
40	XA9-0721-000		2	SCREW,RS,M4X10		
41	XA9-0732-000		48	SCREW,RS,M4X8		
42	VS1-7177-003		1	CONNECTOR, SNAP TIGHT, BK	J20	
43	XG3-6012-405		1	BALL BEARING, NSK MF126ZZ		
44	XG9-0250-000		3	BEARING, BALL		
45	FB3-9230-000		1	PLATE, END LIMIT	A4 SIZE SEE NOTE	
46	FB5-7009-000		1	SHEET, DECK	A4 SIZE SEE NOTE	
501	XB6-7400-809		AR	SCREW,TP,M4X8		
502	XD3-2200-122		AR	PIN,DOWEL		
503	XB1-2231-009		AR	SCREW,MACH.,TRUSS HEAD,M2.3X10		
504	XB1-2400-609		AR	SCREW,MACH.,TRUSS HEAD,M4X6		
505	XB6-2400-808		AR	SETSCREW,M4X8		
506	XB6-7400-609		AR	SCREW,TP,M4X6		
507	XD2-1100-502		AR	RING,E		
508	XD2-1100-242		AR	RING,E		
509	XD2-1100-642		AR	RING,E		
510	XD3-2200-182		AR	PIN,DOWEL		
511	XB1-2400-609		AR	SCREW,MACH.,TRUSS HEAD,M4X6	SEE NOTE	

FIGURE R40 PAPER PICK-UP ASSEMBLY



NOTE: This assembly does not include the part shown with key No. 18.
 注：このユニットにKey No.18の部品は含まれません。

FIGURE & KEY NO.	PARTS NUMBER	R A N K	Q'TY	DESCRIPTION	SERIAL NUMBER/ REMARKS	S V C
Fig.R40	FM2-1224-000		1	PAPER PICK-UP ASSEMBLY		
1	FA9-2112-000		7	BUSHING		
2	FB4-6227-000		1	SHAFT, COUNTER		
3	FB2-7720-000		1	LEVER, PAPER		
4	FB2-7721-000		1	SHAFT, LEVER		
5	FG6-9259-000		1	ROLLER		
6	FB2-7755-000		2	BUSHING		
7	FB2-7777-020		1	ROLLER, SEPARATION		
8	FB3-9188-020		1	PLATE, PAPER PICK-UP		
9	FB3-9192-020		1	CAM, FRONT		
10	FB3-9193-020		1	ARM, SOLENOID		
11	FB3-9195-020		1	ARM, SEPARATION RELEASE		
12	FB3-9196-020		1	LEVER, SEPARATION RELEASE		
13	FB3-9206-000		1	COVER, SENSOR		
14	FB3-9207-030		2	ARM, SEPARATION ROLLER		
15	FB3-9214-000		1	FLAG, PAPER SENSOR		
16	FB3-9216-000		1	CLUTCH, ONE-WAY, 1		
17	FB3-9217-000		1	CLUTCH, ONE-WAY, 2		
18	FB3-9289-000		1	LEVER, RELEASE	SEE NOTE	
19	FB3-9713-000		1	LEVER, PAPER PICK-UP		
20	FB3-9752-000		1	LEVER, LIMITER		
21	FB4-2007-000		3	RING, RETAINING		
22	FB4-2013-000		1	GUIDE, PICK-UP INLET		
23	FC5-2751-000		1	ROLLER, PAPER FEED		
24	FB4-4898-000		1	PLATE, PAPER FEED GUIDE, FRONT		
25	FB4-4899-000		1	PLATE, PAPER FEED GUIDE, REAR		
26	FC5-6245-000		1	LIMITER, TORQUE		
27	FF5-6338-000		1	SHAFT, SEPARATION		
28	FF6-2738-000		1	MOUNT, SEPARATION ROLLER		
29	FF5-7529-000		1	SWING GEAR, 20T		
30	FF5-7530-000		1	MOUNT, VERT. PATH SENSOR FLAG		
31	FF5-7532-000		2	SUPPORT, GUIDE, LOWER		

FIGURE & KEY NO.	PARTS NUMBER	R A N K	Q'TY	DESCRIPTION	SERIAL NUMBER/ REMARKS	S V C
32	FF6-1976-000		2	SUPPORT, ROLLER		
33	FF6-1975-000		1	ROLLER, PAPER FEED		
34	FF5-7829-000		1	ROLLER, PAPER PICK-UP, 1		
35	FF5-7830-000		1	ROLLER, PAPER PICK-UP, 2		
36	FM2-0879-000		1	CABLE, PAPER PICK-UP	J4-13	
37	FK2-0261-000		2	CLUTCH, ELECTROMAGNETIC	CL1,2 J11,13	
38	FK2-0126-000		1	SOLENOID	SL1 J9	
39	FH7-7312-000		5	PHOTO-INTERRUPTER	PS1-4,6 J10,5-7,12	
40	FS1-1512-000		3	BUSHING		
41	FS1-1569-000		2	BUSHING		
42	FS2-0484-000		2	GEAR, 25T		
43	FS5-0338-000		2	GEAR, 16T		
44	FS5-2291-000		1	SPRING, TENSION		
45	FS5-2885-000		1	SPRING, TENSION		
46	FS5-3333-000		1	PULLEY, 16T		
47	FS6-0053-020		2	GEAR, 20T		
48	FU5-0258-000		1	GEAR, 16T		
49	FS6-0907-000		1	GEAR, 20T		
50	FS5-7441-000		1	SPRING, TORSION		
51	FS6-2675-020		1	SPRING, TENSION		
52	FS6-2678-030		1	SPRING, TENSION		
53	FS6-2895-000		2	SPRING, COMPRESSION		
54	VS1-7177-002		4	CONNECTOR, SNAP TIGHT, BK	J9,11,13	
55	XF9-0525-000		1	BELT, TIMING, 59T		
56	XG9-0242-000		1	BEARING, BALL		
57	FS5-7442-000		1	BUSHING		
58	FS1-1189-000		2	BUSHING		
59	FB4-4887-000		1	SHAFT, PAPER FEEDER		
60	FB4-4894-020		1	SHAFT, CLUTCH		
61	FF5-6137-000		1	SHAFT, PAPER PICK-UP		
62	FB2-7702-000		1	SHAFT, PICK-UP		
63	FF5-7540-000		1	SHAFT, SEPARATION DRIVE		

FIGURE & KEY NO.	PARTS NUMBER	R A N K	Q'TY	DESCRIPTION	SERIAL NUMBER/ REMARKS	S V C
64	XA9-0732-000		27	SCREW,RS,M4X8	J11,13	
65	FF3-4190-000		2	CABLE, CLUTCH		
501	XD3-1300-082		AR	PIN,SPRING		
502	XB1-2300-409		AR	SCREW,MACH.,TRUSS HEAD,M3X4		
503	XB1-2400-609		AR	SCREW,MACH.,TRUSS HEAD,M4X6		
504	XD2-1100-242		AR	RING,E		
505	XD2-1100-402		AR	RING,E		
506	XD2-1100-372		AR	RING,E		
507	XD2-1100-642		AR	RING,E		
508	XD3-2200-102		AR	PIN,DOWEL		
509	XD3-2200-142		AR	PIN,DOWEL		
510	XD2-1100-502		AR	RING,E		

FIGURE RB LIST OF CONNECTORS

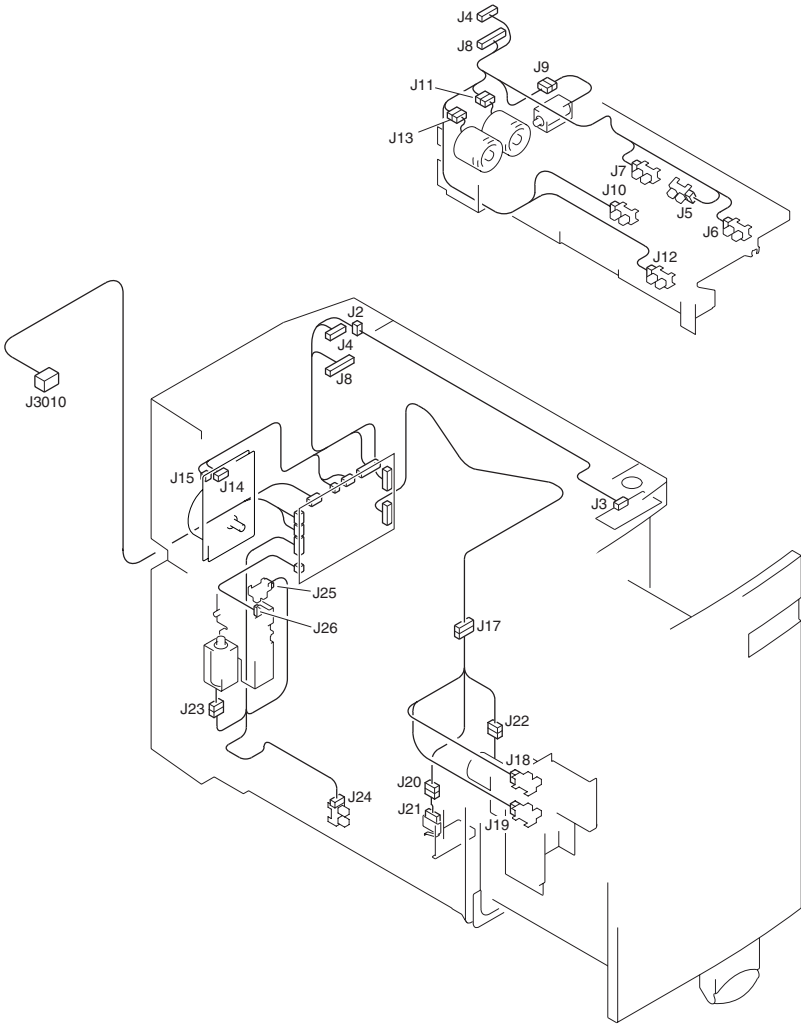


FIGURE & KEY NO.	PARTS NUMBER	RANK	Q'TY	DESCRIPTION	SERIAL NUMBER/REMARKS	SVC
Fig.RB	NPN		RF	LIST OF CONNECTORS		
J2	VS1-6321-004		2	CONNECTOR, 4P, FEMALE		
J2	VS1-7101-004		1	CONNECTOR, SNAP TIGHT, 4P, W		
J3	PCB			LED SWITCH		
J3	VS1-6321-004		1	CONNECTOR, 4P, FEMALE		
J4	VS1-6321-010		2	CONNECTOR, 10P, FEMALE		
J4	VS1-7101-010		1	CONNECTOR, SNAP TIGHT, 10P, W		
J5	NPN			DECK PAPER EMPTY SENSOR	PS2	
J5	VS1-6321-003		1	CONNECTOR, 3P, FEMALE		
J6	NPN			DECK LIFTER UPPER LIMIT SENSOR	PS3	
J6	VS1-6321-003		1	CONNECTOR, 3P, FEMALE		
J7	NPN			DECK LIFTER POSITION SENSOR	PS4	
J7	VS1-6321-003		1	CONNECTOR, 3P, FEMALE		
J8	VS1-6321-014		2	CONNECTOR, 14P, FEMALE		
J8	VS1-7101-014		1	CONNECTOR, SNAP TIGHT, 14P, W		
J9	NPN			DECK ROLLER RELEASE SOLENOID	SL1	
J9	VS1-6321-002		1	CONNECTOR, 2P, FEMALE		
J9	VS1-7101-002		1	CONNECTOR, SNAP TIGHT, 2P, W		
J10	NPN			DECK PAPER PICK-UP SENSOR		
J10	VS1-6321-003		1	CONNECTOR, 3P, FEMALE		
J11	NPN			DECK PAPER FEED CLUTCH	CL1	
J11	VS1-6321-002		1	CONNECTOR, 2P, FEMALE		
J11	VS1-7101-002		1	CONNECTOR, SNAP TIGHT, 2P, W		
J12	NPN			DECK PAPER FEED SENSOR	PS6	
J12	VS1-6321-003		1	CONNECTOR, 3P, FEMALE		
J13	NPN			DECK PAPER PICK-UP CLUTCH	CL2	
J13	VS1-6321-002		1	CONNECTOR, 2P, FEMALE		
J13	VS1-7101-002		1	CONNECTOR, SNAP TIGHT, 2P, W		
J14	NPN			PAPER PICK-UP MOTOR	M1	
J14	VS1-6321-006		1	CONNECTOR, 6P, FEMALE		
J15	NPN			PAPER PICK-UP MOTOR	M1	
J15	VS1-7110-002		1	CONNECTOR, 2P, FEMALE, W		

FIGURE & KEY NO.	PARTS NUMBER	RANK	Q'TY	DESCRIPTION	SERIAL NUMBER/REMARKS	SVC
J15	WS3-5858-000		2	CONTACT, SOCKET, 20-22AWG		
J17	VS1-6372-010		1	CONNECTOR, 10P, FEMALE		
J17	VS1-6373-010		1	CONNECTOR, 10P, FEMALE		
J17	WS3-5569-000		10	PIN, CONTACT		
J17	WS3-5598-000		10	PIN CONTACT		
J18	NPN			DECK PAPER POSITION SENSOR	PS7	
J18	VS1-5824-003		1	CONNECTOR, 3P, FEMALE		
J18	WS3-5358-000		3	SOCKET CONTACT, 22-26AWG		
J19	NPN			DECK PAPER SENSOR	PS8	
J19	VS1-5824-003		1	CONNECTOR, 3P, FEMALE		
J19	WS3-5358-000		3	SOCKET CONTACT, 22-26AWG		
J20	VS1-6321-003		2	CONNECTOR, 3P, FEMALE		
J20	VS1-7101-003		1	CONNECTOR, SNAP TIGHT, 3P, W		
J20	WS3-5358-000		3	SOCKET CONTACT, 22-26AWG		
J21	NPN			DECK LOWER DETECT SWITCH	SW2	
J21	RH2-5283-000		1	CONNECTOR, 2P, FEMALE		
J21	WS3-5419-000		2	SOCKET CONTACT, 22-26AWG		
J22	NPN			DECK LIFTER MOTOR	M2	
J22	WS3-0437-000		2	SOCKET CONTACT, 20-30AWG		
J22	WS3-0589-000		1	CONNECTOR, 2P, FEMALE		
J23	NPN			DECK OPEN SOLENOID	SL2	
J23	VS1-6321-002		1	CONNECTOR, 2P, FEMALE		
J23	VS1-7101-002		1	CONNECTOR, SNAP TIGHT, 2P, W		
J24	NPN			DECK POSITION SENSOR	PS5	
J24	VS1-6321-003		1	CONNECTOR, 3P, FEMALE		
J25	NPN			DECK OPEN SENSOR	PS9	
J25	VS1-6321-003		1	CONNECTOR, 3P, FEMALE		
J26	NPN			DECK OPEN DETECT SWITCH	SW1	
J26	RH2-5283-000		1	CONNECTOR, 2P, FEMALE		
J26	WS3-5419-000		2	SOCKET CONTACT, 22-26AWG		
J101	PCB			SIDE DECK DRIVER		
J101	VS1-7110-003		1	CONNECTOR, 3P, FEMALE, W		

FIGURE & KEY NO.	PARTS NUMBER	R A N K	Q'TY	DESCRIPTION	SERIAL NUMBER/ REMARKS	S V C
J101	WS3-5858-000		2	CONTACT, SOCKET, 20-22AWG		
J102	PCB			SIDE DECK DRIVER		
J102	VS1-6741-008		1	CONNECTOR, 8P, FEMALE		
J102	WS3-5729-000		8	SOCKET CONTACT, 24-28AWG		
J103	PCB			SIDE DECK DRIVER		
J103	VS1-6321-013		1	CONNECTOR, 13P, FEMALE		
J104	PCB			SIDE DECK DRIVER		
J104	VS1-6321-012		1	CONNECTOR, 12P, FEMALE		
J105	PCB			SIDE DECK DRIVER		
J105	VS1-6321-006		1	CONNECTOR, 6P, FEMALE		
J106	PCB			SIDE DECK DRIVER		
J106	VS1-7110-002		1	CONNECTOR, 2P, FEMALE, W		
J106	WS3-5858-000		2	CONTACT, SOCKET, 20-22AWG		
J107	PCB			SIDE DECK DRIVER		
J107	VS1-6302-010		1	CONNECTOR, 10P, FEMALE		
J107	WS3-5569-000		10	PIN, CONTACT		
J108	PCB			SIDE DECK DRIVER		
J108	VS1-6321-008		1	CONNECTOR, 8P, FEMALE		
J109	PCB			SIDE DECK DRIVER		
J109	VS1-6302-003		1	CONNECTOR, 3P, FEMALE		
J109	WS3-5569-000		2	PIN, CONTACT		
J110	PCB			SIDE DECK DRIVER		
J110	VS1-6741-006		1	CONNECTOR, 6P, FEMALE		
J110	WS3-5729-000		6	SOCKET CONTACT, 24-28AWG		
J3010	SYS			COPIER		
J3010	VS1-6741-006		1	CONNECTOR, 6P, FEMALE		
J3010	VS1-6741-008		1	CONNECTOR, 8P, FEMALE		
J3010	WS3-5729-000		14	SOCKET CONTACT, 24-28AWG		
J3010	WS3-5816-000		3	CONTACT, PIN, 16-20AWG		
J3010	WS3-5847-000		1	CONNECTOR, 18P, MALE, W		

Prepared by
OFFICE IMAGING PRODUCTS QUALITY ASSURANCE CENTER
CANON INC.

Canon